

▼ Shown: PGT-Series Single Stage and Double Deck Tensioners



High Precision, Low Maintenance



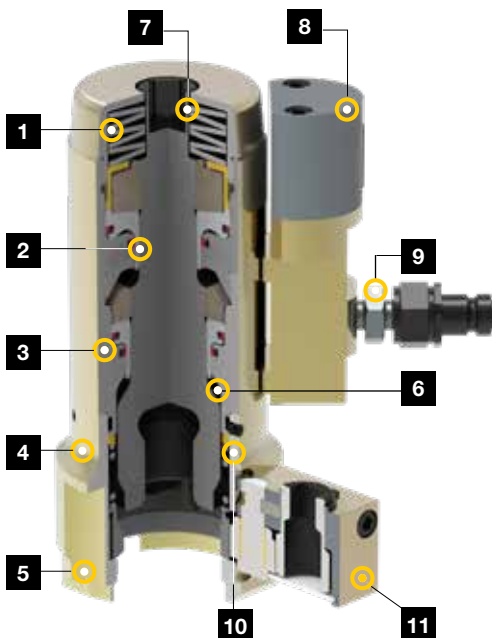
Engineering Team

Enerpac's Bolting Engineering Team is staffed with a large and highly experienced group of tensioning professionals who specialize in creating customized solutions for unique applications.

- PGT-Series Bolt Tensioners are designed for critical fastening applications in wind, steam and gas turbines
- A broad range of single stage and double deck tensioners provide high performance in tight spaces associated with Power Generation applications
- PGT-Series Bolt Tensioners are loaded with performance enhancing features such as Auto-Retract Pistons, Cycle Counters and a premium coating to offer the ultimate in efficiency, durability and ease of use

Description	Single Stage	Double Deck
Auto-Retract Piston	●	●
Zinc Coating	●	●
Geared Nut-Rundown	●	●
Over-stroke Indicator	●	●
Over-stroke Preventer	●	●
Single Male Fitting	◆	◆
Swivel Manifold	◆	◆
Cycle Counter	◆	◆

- = Standard
- ◆ = Possible option
- ◆ = Option not available



- 1. Auto-retract piston:** Simplifies use and improves speed of operation.
- 2. Long-life puller:** For maximum durability.
- 3. Long-life seals:** For maximum durability and extended service life intervals.
- 4. Corrosion protection:** Zinc coating provides best-in-class corrosion resistance.
- 5. Interchangeable bridge:** For optimal application fit.
- 6. Over-stroke Preventer:** Mechanically prevents over-stroke, extending cylinder life.
- 7. Over-stroke Indicator:** Extends cylinder life by helping to prevent over-stroking of cylinder.
- 8. Optional counter:** Helps indicate when maintenance is due to maximize uptime.
- 9. Quick-disconnect coupler:** For safe, simple hydraulic connection. OPTIONAL 360' swivel available for additional hose positioning flexibility.
- 10. Spring-loaded nut engagement:** Keeps socket positioned on nut for faster and easier seating process.
- 11. Auto-engage nut rundown:** For rapid and accurate seating of nuts.

▲ The model above illustrates a typical tool configuration. Actual model configurations vary.

PGT-Series, Power Generation Bolt Tensioners

▼ This is how a Power Generation Bolt Tensioner model number is built up:

PGT

1
Product
Type

1 Product Type

PGT = Power Generation Tensioner

D

2
No. of
Stages

2 Model Type

S = Single stage
D = Double Deck

36

3
Bolt
Diameter
(mm)

3 Bolt Diameter (mm)

Example: 36 = M36

50

4
Nut AF
Dimension
(mm)

4 Nut Across the Flats Measurement

Example: 50 = 50 mm AF

S

5
Fitting
Type

5 Fitting Type

S = Includes single male fitting
SW = Includes swivel manifold with single male fitting

C

6
Counter*

6 Counter

C = Includes Counter

* Not available with single stage tools.

**PGT
Series**



Bolt Range:

M20-M42

Load Range:

0-106 Tons

Maximum Operating Pressure*:

21,750 psi / 1500 bar

* Max. Pressure varies, see specification table for details.



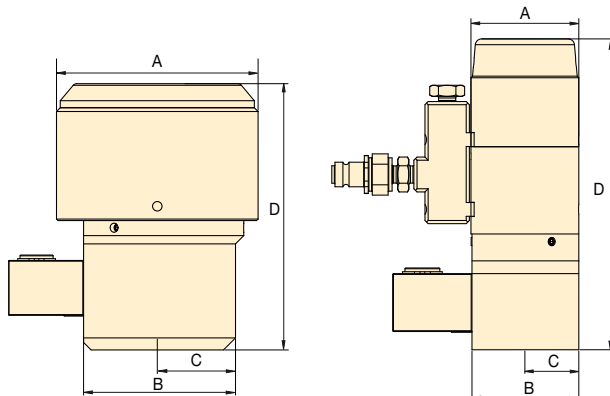
Tensioner Pumps

Electric, pneumatic and manual high-pressure tensioning pumps are available for use with Enerpac hydraulic tensioners.



Hoses and Fittings

High-pressure hoses and fittings for use with Enerpac tensioning systems are available.



▼ SPECIFICATION TABLE*

Type	Model Number*	Bolt Diameter		Thread	Nut AF (in)	Max. Pressure (psi)	Hydraulic Pressure Area (in ²)	Load Capacity (tons)	Stroke (in)	Dimensions (in)				Wt. (lbs)	Stud Protrusion (in)
		(in)	(mm)							A	B	C	D		
Single Stage	PGTS2030S	0.79	20	M20 x 2.5	1.18	21,750	2.12	22.9	0.28	2.52	2.52	0.98	3.19	4.37	1.73
	PGTS2436S	0.94	24	M24 x 3.0	1.42	21,750	3.02	32.8	0.28	3.03	3.03	0.98	3.86	6.44	1.93
	PGTS3655S	1.42	36	M36 x 4.0	2.17	21,750	6.92	75.3	0.35	4.37	3.54	1.57	5.04	13.98	2.80
	PGTS4265S	1.65	42	M42 x 4.5	2.56	21,750	9.70	105.5	0.39	5.28	4.09	1.73	6.97	27.01	3.11
Double Deck	PGTD2742S	1.06	27	M27 x 3.0	1.65	19,575	4.56	44.6	0.24	2.68	2.95	1.34	7.72	11.55	2.36
	PGTD3046S	1.18	30	M30 x 3.5	1.81	19,575	5.31	52	0.28	2.87	3.35	1.46	7.68	12.70	2.36
	PGTD3350S	1.30	33	M33 x 3.5	1.97	19,575	6.62	64.8	0.28	3.07	3.03	1.52	8.19	15.15	2.56
	PGTD3655S	1.42	36	M36 x 4.0	2.17	19,575	7.74	75.8	0.31	3.31	3.23	1.61	8.58	17.06	2.76
	PGTD4265S	1.65	42	M42 x 4.5	2.56	19,575	10.64	104.2	0.39	3.86	4.09	1.73	9.78	25.02	3.23

* These models reflect a standard configuration. To select an optional modification, apply the appropriate nomenclature indicated at the top of the page. If models beyond those indicated in this table are required, contact Enerpac.